

# ACE-USB-485

## USB to RS-485 converter



---

COPYRIGHT © 2008 ARCUS,  
ALL RIGHTS RESERVED

First edition, March 2008

ARCUS TECHNOLOGY copyrights this document. You may not reproduce or translate into any language in any form and means any part of this publication without the written permission from ARCUS.

ARCUS makes no representations or warranties regarding the content of this document. We reserve the right to revise this document any time without notice and obligation.

**Revision History:**

- 1.0 – First Revision
- 1.01 – Added pictures
- 1.02 – Updated introduction
- 1.03 – Updated dimensions
- 1.1 – Installation updated

**Firmware Compatibility:**

NA

**Software Compatibility:**

NA

---

## Table of Contents

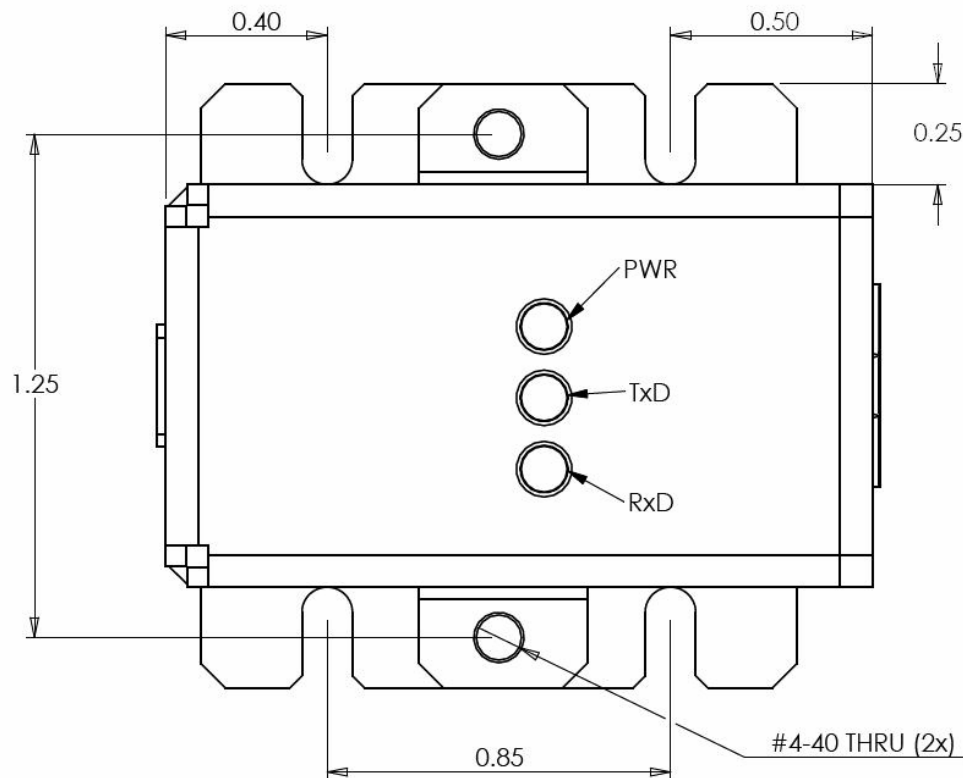
<i>1. Introduction.....</i>	<i>3</i>
<i>2. Dimensions .....</i>	<i>3</i>
<i>3. Connector .....</i>	<i>5</i>
<i>4. Driver Setup.....</i>	<i>6</i>
<i>5. Getting Started.....</i>	<i>10</i>

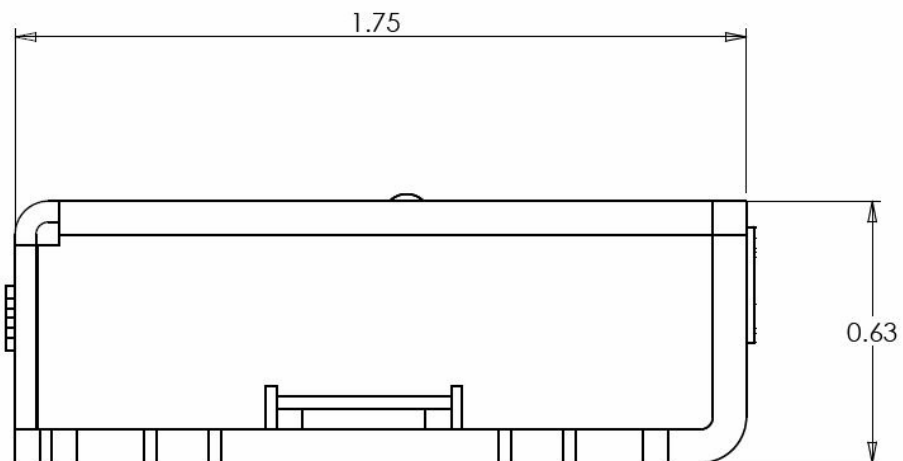
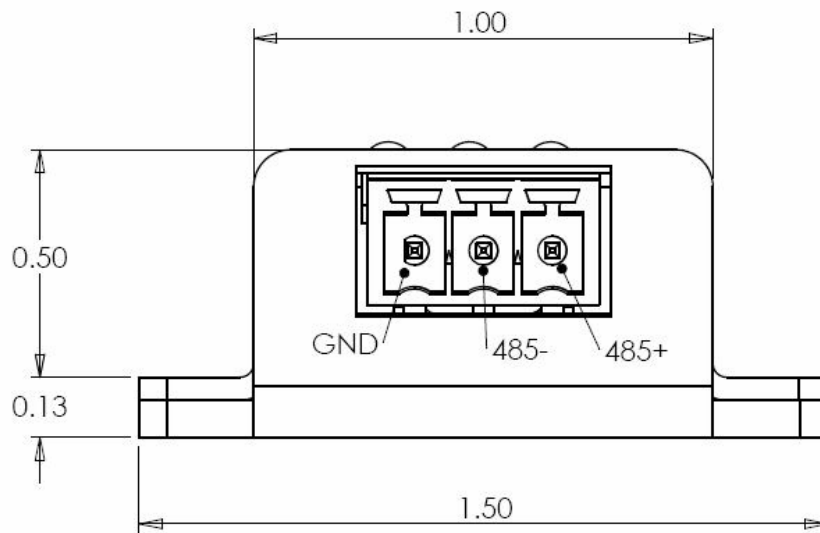
## 1. Introduction

ACE-USB-485 allows a user to quickly achieve RS-485 communication via the USB port of a PC. This USB to RS-485 converter uses Virtual Com Port of Windows PC and can be used for all RS-485 based Arcus products. Also note that ACE-USB-485 can be used with other 3<sup>rd</sup> party products which require RS-485 communication.

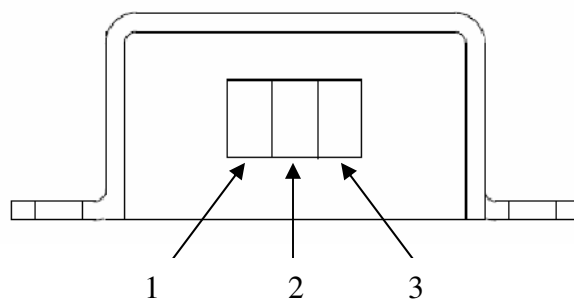
## 2. Dimensions

*All dimensions in inches*





### 3. Connector



Pin #	Name	Description
1	GND	RS-485 bus ground signal
2	485-	RS-485 bus positive signal
3	485+	RS-485 bus negative signal

Mating Connector Description: 3 pin 0.15" (3.81 mm) connector  
Mating Connector Manufacturer: On-Shore  
Mating Connector Manufacturer Part: ED1961-ND

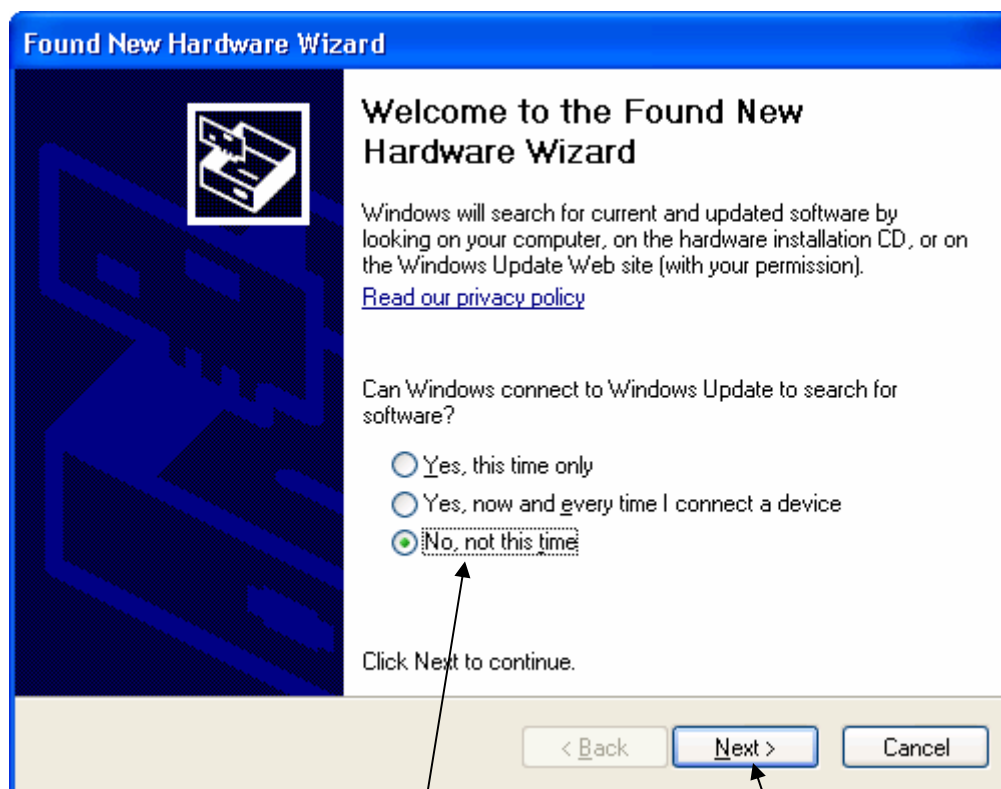
**Note: Other 3.81mm compatible connector can be used.**

## 4. Driver Setup

At the website: [www.arcus-technology.com](http://www.arcus-technology.com), download and run the “ACE-USB485 Driver Installation” program.

Reboot the computer and connect the ACE-USB-485 to your PC via a USB cable. Note that the unit is powered from USB. There is no need for external power.

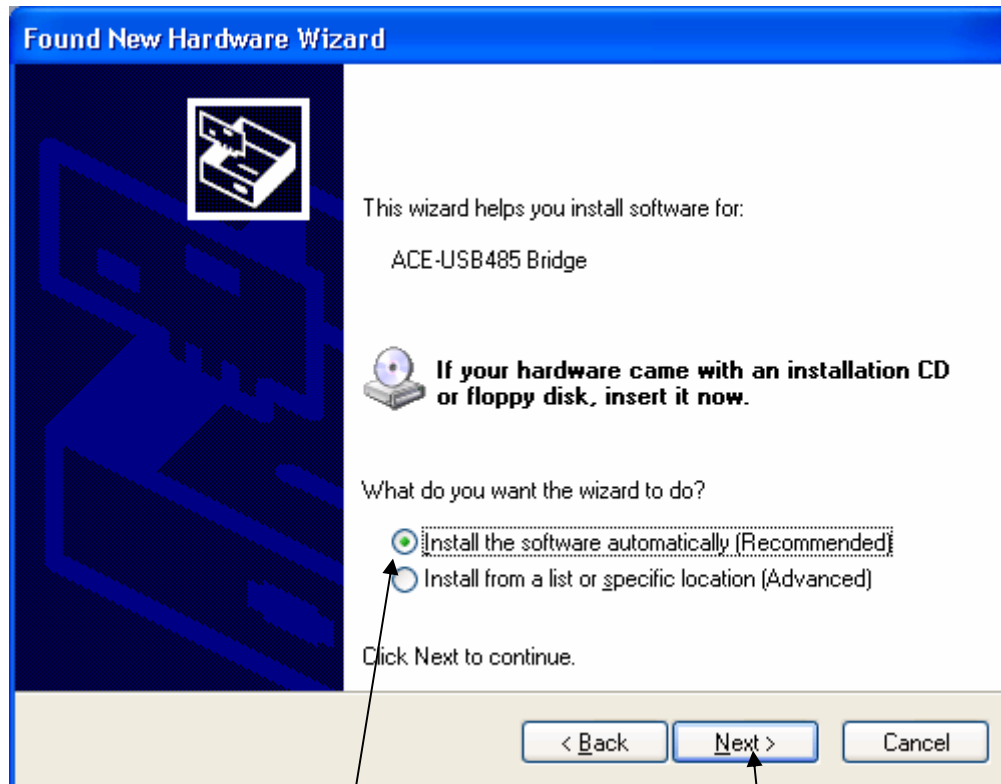
Once the ACE-USB485 is plugged into the PC, Windows OS will start the New Hardware Wizard Setup as shown below. Select “**No, not this time**” and select “**Next**”



Select “**No, not this time**”

Select “**Next**”

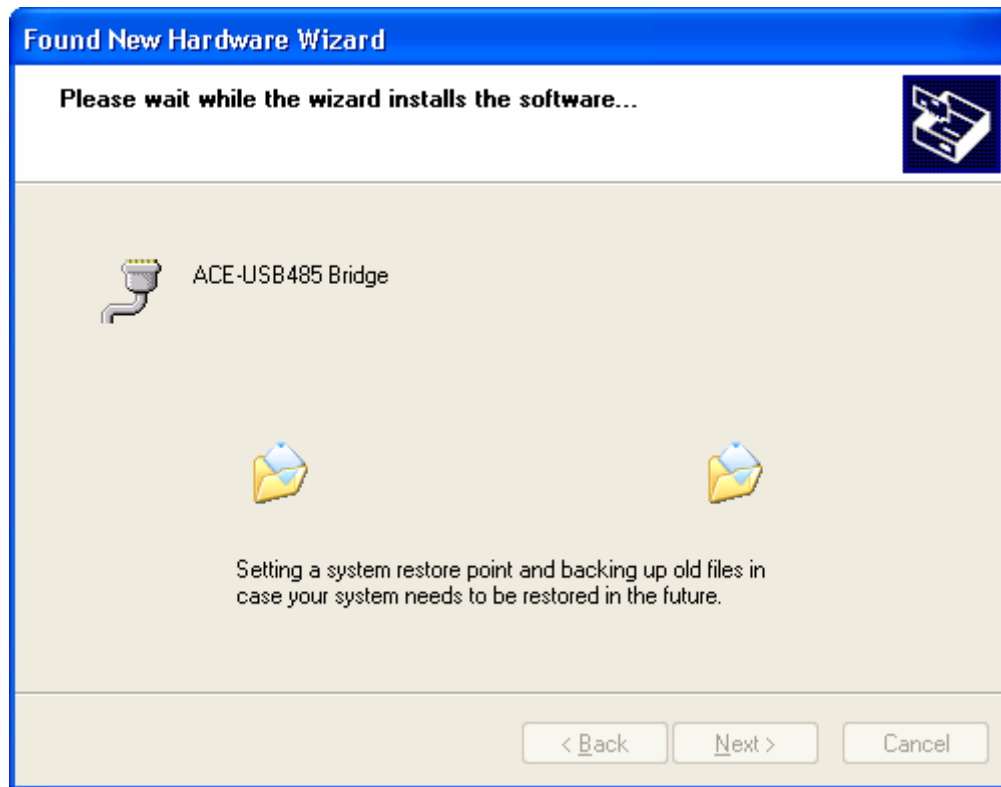
Following dialog box will show. Select **“Install the software automatically”** and select **“Next”**



Select **“Install the software automatically”**

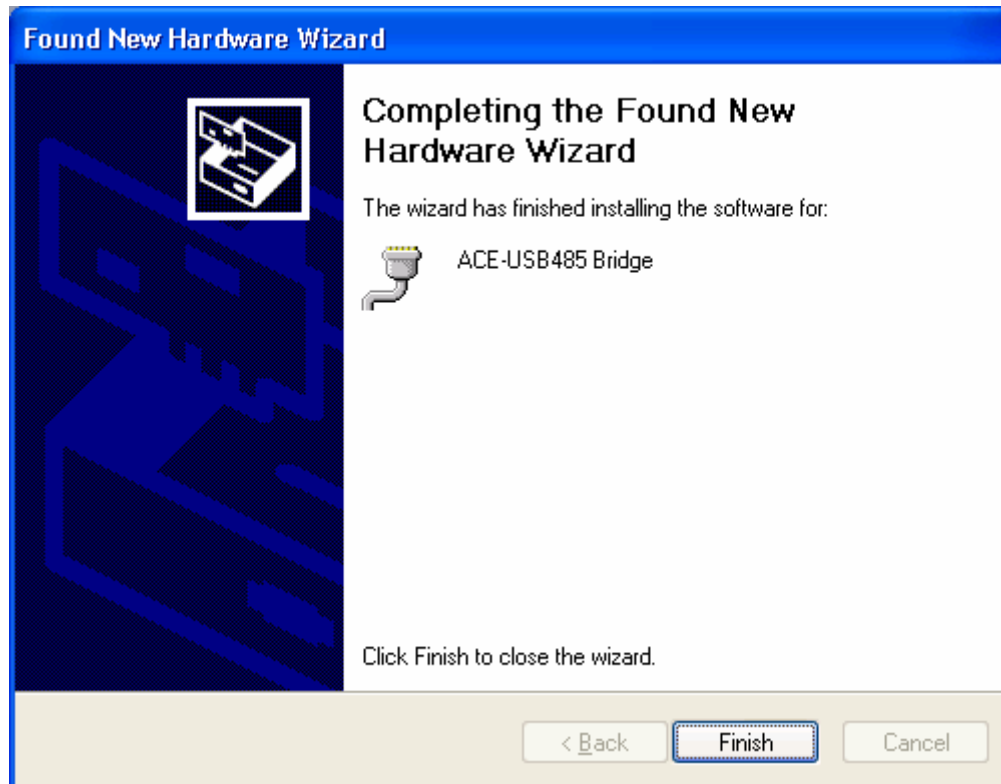
Select **“Next”**

Following dialog box will show. Select “Continue anyway”



Select “Continue Anyway”

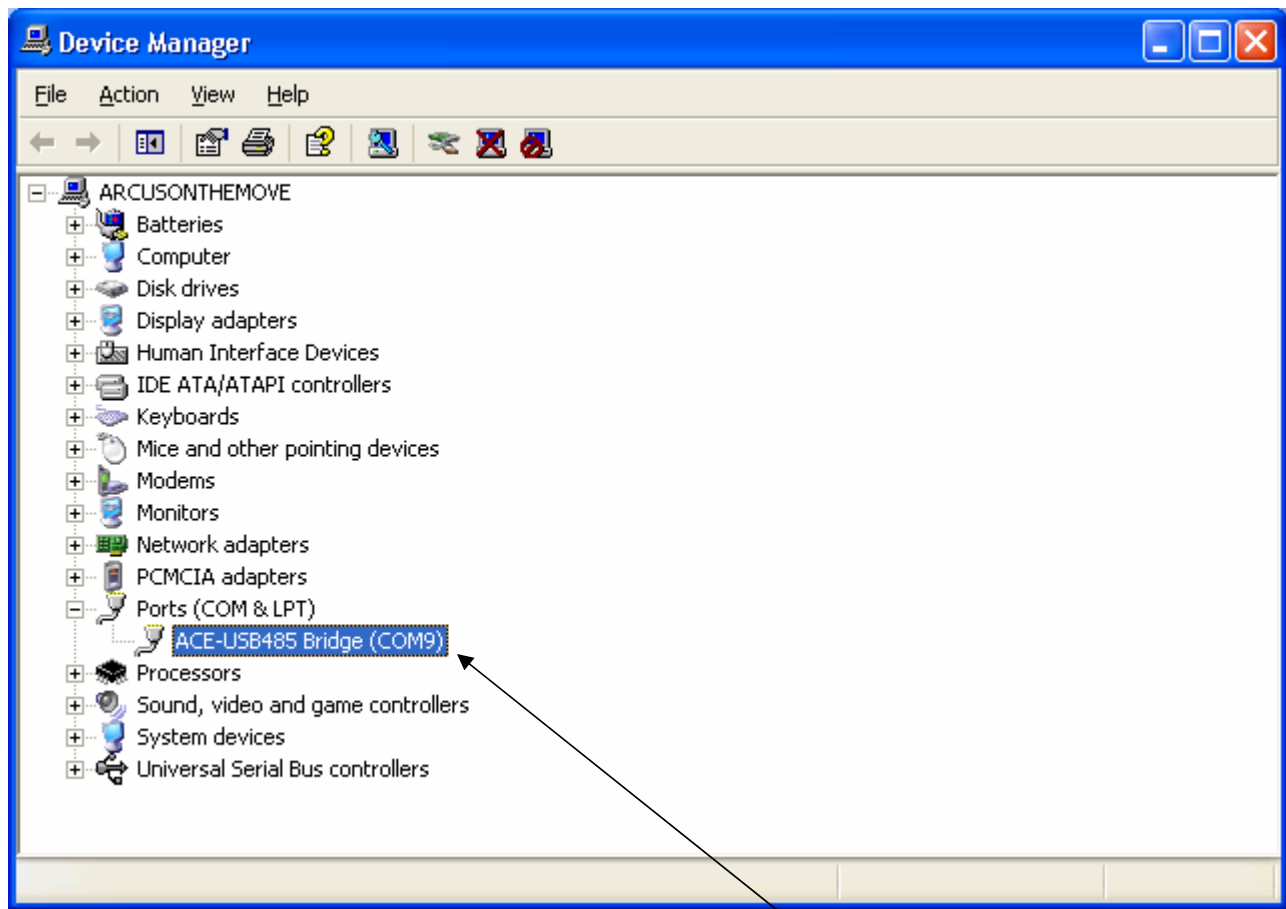
Once the driver is properly installed, following screen will show to indicate successful installation.



## 5. Getting Started

In order to begin serial communication, the virtual COM port for your ACE-USB-485 must be found.

When the ACE-USB-485 is plugged in, the virtual COM port designated to the converter can be found by going to the “Device Manager” as show below. Note that the virtual COM port may vary depending on the PC.



ACE-USB-485 COM port is 9

## **Contact Information**

Arcus Technology, Inc.

3061 Independence Drive. Suite H  
Livermore, CA 94551  
925-373-8800

[www.arcus-technology.com](http://www.arcus-technology.com)