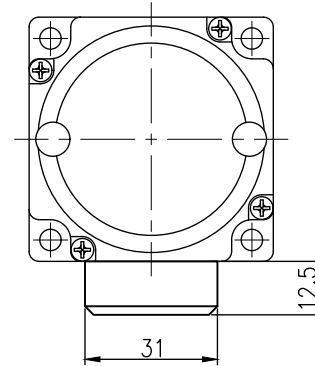
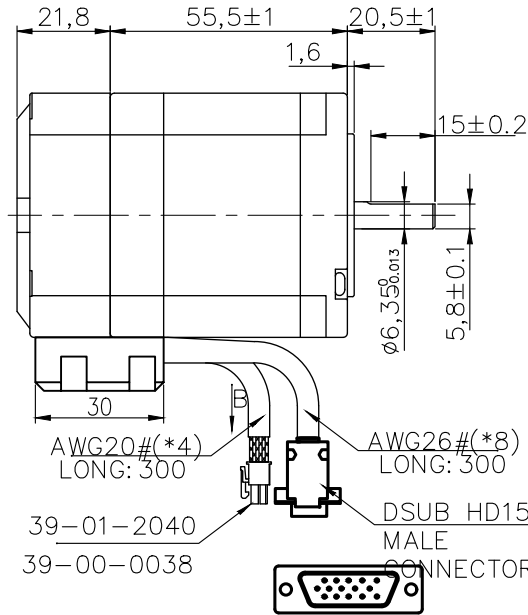
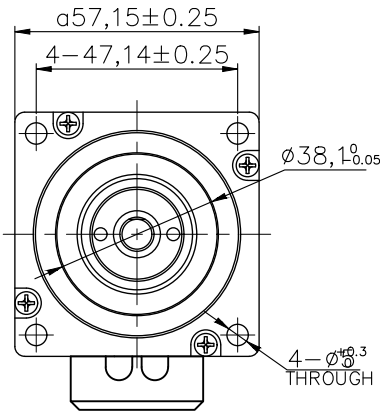


Dimensions Unit=mm

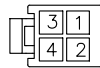


T3-23-2-10K

REV: A



1 - Black (A)
2 - Red (B)
3 - Green (/A)
4 - Blue (/B)



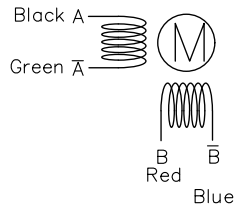
Encode Control (2500CPR)

1	Bule	EA+
2	Blue/White	EA-
3	Orange	EB+
4	Orange/White	EB-
5	Green	EZ+
6	Green/White	EZ-
7	Red	+5VCC
8	Black	GND

Motor Specification

Number Of Phase	2
Basic Step Angle	3°
Positional Accuracy(no-load)	±0.15° Max
Rated Current(Phase)	4.0A
Resistance(Phase)@20 °C	0.48Ω±10%
Inductance(Phase)@1KHz, 1V rms	1.3mH±20%
Holding Torque	0.9N.m
Rotor Inertia	≈280g · cm <sup>2</sup>
Mass	≈0.72Kg
Radial Play(Max)	0.025mm(Load 450g)
Axial Play(Max)	0.005mm(Load 920g)
Duty	Continuous
Dielectric Strength	500V A.C
Insulation Resistance	100MΩ Min
Insulation Class(UL)	B
Temperature Rise	80KMax
Life(Hours)	5000Min
Operation Ambient Temperature	0 °C~+50 °C
Operation Ambient Humidity	20%RH~90%RH
Storage Ambient Temperature	-20 °C~+70 °C
Storage Ambient Humidity	15%RH~95%RH

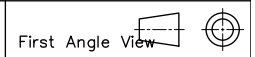
Wiring Diagram



Phase Sequence(2 Phase Exciting)

CCW	Step	A	B	Ā	B̄	
↓	1	+	+	-	-	↑ CW
	2	-	+	+	-	
	3	-	-	+	+	
	4	+	-	-	+	
	1	+	+	-	-	

Label Discription



Temperature Rise	80KMax	F				Approved		Material	
Life(Hours)	5000Min	E				Checked		Finish	
Operation Ambient Temperature	0 °C~+50 °C	D				Designed		Tolerance	
Operation Ambient Humidity	20%RH~90%RH	C						Scale	1:2
Storage Ambient Temperature	-20 °C~+70 °C	B						Sheet	1/1
Storage Ambient Humidity	15%RH~95%RH	A							
			First Edition		2019.01.24				
		Edition	Revisions		Designed Date	Drawn			