

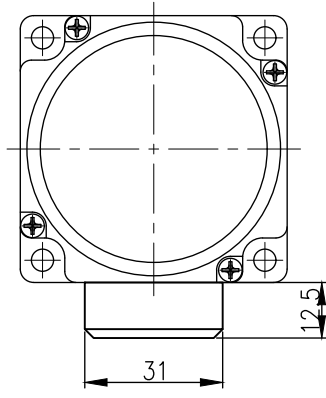
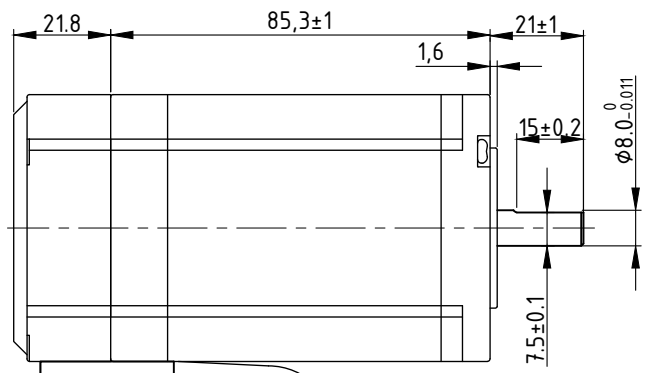
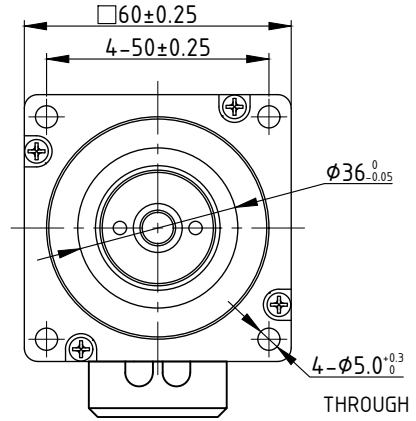
Dimensions Unit=mm

RoHS COMPLIANT



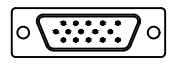
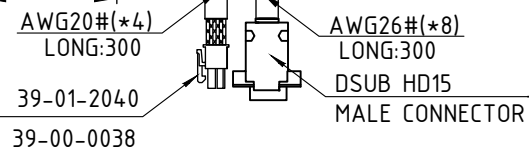
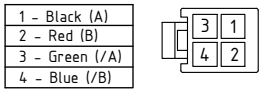
T3-24-3-10K

REV:B

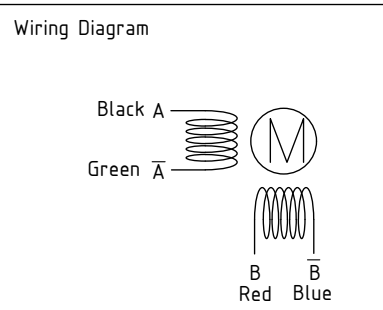


Encode Control (2500CPR)

1	Black	EGED
2	Red	+5VCC
3	Bule	EA+
4	Blue/White	EA-
5	Orange	EB+
6	Orange/White	EB-
7	Green/White	EZ-
8	Green	EZ+



Motor Specification	
Number Of Phase	2
Basic Step Angle	3°
Positional Accuracy(no-load)	±0.09°Max
Rated Current(Phase)	5.0A
Resistance(Phase)@20°C	0.44Ω±10%
Inductance(Phase)@1KHz	1.4mH±20%
Holding Torque	2.0N · m
Rotor Inertia	≈690g·cm ²
Mass	≈1.3Kg
Radial Play(Max)	0.025mm(Load 450g)
Axial Play(Max)	0.075mm(Load 920g)
Duty	Continuous
Dielectric Strength	500V A.C
Insulation Resistance	100MΩ Min
Insulation Class(UL)	B
Temperature Rise	80K Max
Life(Hours)	5000 Min
Operation Ambient Temperature	0°C~+50°C
Operation Ambient Humidity	20%RH-90%RH
SStorage Ambient Temperature	-20°C~+70°C
SStorage Ambient Humidity	15%RH-95%RH



Phase Sequence(2 Phase Exciting)

Step	A	B	Ā	B̄
1	+	+	-	-
2	-	+	+	-
3	-	-	+	+
4	+	-	-	+
5	+	+	-	-

CW (Clockwise) and CCW (Counter-clockwise) directions are indicated.

Label Discription

Material	
Finish	
Tolerance	±0.2



Edition	Revisions	Designed	Date	Drawn	JYY	Scale	1:2	Sheet	1/1
	First Edition		20210304						