

Dimensions Unit=mm

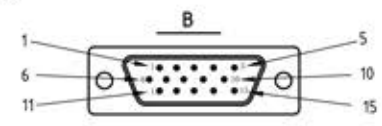
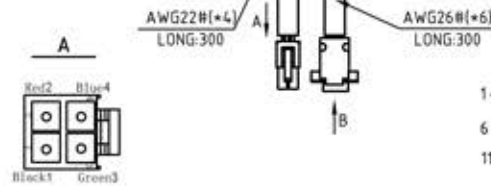
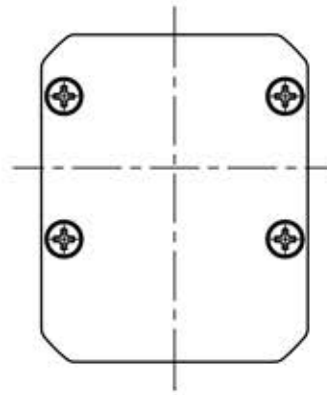
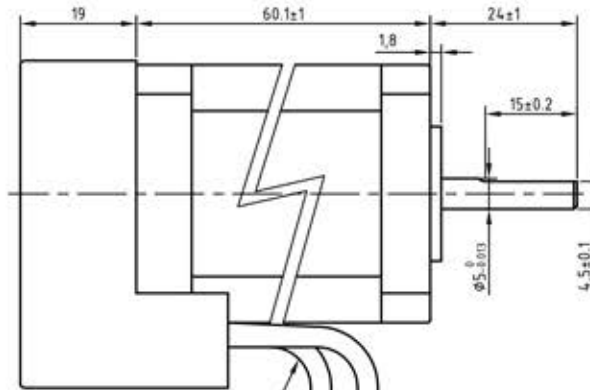
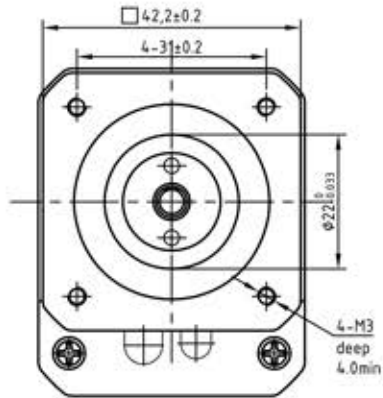
RoHS COMPLIANT

CE

TM-STPP-17-3-R2500

Encoder Control (2500CPR)

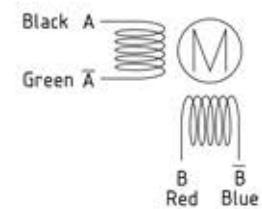
8	Black	EGED
7	Red	+5VCC
1	Blue	EA+
2	Blue/White	EA-
3	Orange	EB+
4	Orange/White	EB-
6	Green/White	EZ-
5	Green	EZ+



Motor Specification

Number Of Phase	2
Basic Step Angle	1.8°
Positional Accuracy(no-load)	±0.09° Max
Rated Current(Phase)	1.2A
Resistance(Phase)@20°C	4.10±10%
Inductance(Phase)@1KHz, IVrms	10.8mH±20%
Holding Torque	0.72N·m
Rotor Inertia	±110g·cm²
Mass	±0.5Kg
Radial Play(Max)	0.025mm(Load 450g)
Axial Play(Max)	0.005mm(Load 920g)
Duty	Continuous
Dielectric Strength	500V A.C
Insulation Resistance	100MΩMin
Insulation Class(UL)	B
Temperature Rise	80K Max
Lif(Hours)	5000Min
Operation Ambient Temperature	0°C~+50°C
Operation Ambient Humidity	20%RH~90%RH
Storage Ambient Temperature	-20°C~+10°C
Storage Ambient Humidity	15%RH~95%RH

Wiring Diagram



Phase Sequence(2 Phase Exciting)

CCW	Step	A	B	A̅	B̅	CW
	1	+	+	-	-	
	2	-	+	+	-	
	3	-	-	+	+	
	4	+	-	-	+	
1	+	+	-	-		

Label Discription

First Angle View

Revision	Material
Revisions	Finish
Designed	Tolerance ±0.2
Date	NO. 025250
Drawn	Scale 1:1
WY	Sheet 1/1
190220	