

Dimension Unit = mm

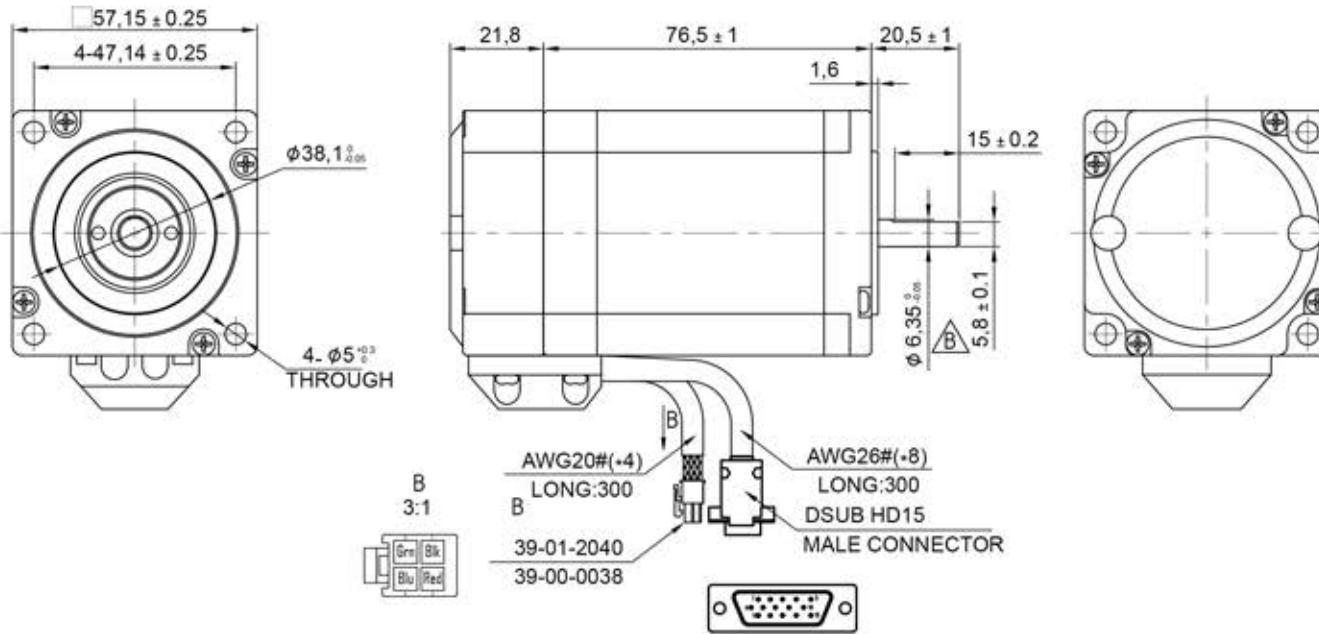
RoHS COMPLIANT



TM-STPP-23-3-R2500

REV: B

Encoder Control (2500CPR)

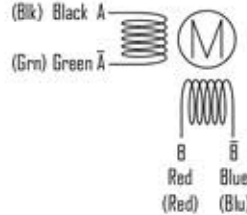


1	Blue	EA+
2	Blue/White	EA-
3	Orange	EB+
4	Orange/White	EB-
5	Green	EZ+
6	Green/White	EZ-
7	Red	+5VCC
8	Black	GND

Motor Specification

Number of Phase	2
Basic Step Angle	1.8°
Positional Accuracy (No-Load)	±0.09° Max
Rated Current (Phase)	5.0A
Resitanc (Phase) at 20°C	0.4Ω±10%
Inductance (Phase) at 1KHz, 1V rms	1.8mH±20%
Holding Torque	2.0N.m
Rotor Inertia	≈490g·cm ²
Mass	≈1.06Kg
Radial Play (Max)	0.025mm (Load 450g)
Axial Play (Max)	0.005mm (Load 920g)
Duty	Continuous
Dielectric Strength	500V A.C
Insulation Resistance	100MΩ Min
Insulation Class (UL)	B
Temperature Rise	80K Max
Life (Hours)	5000 Min
Operation Ambient Temperature	0°C~+70°C
Operation Ambient Humidity	20%RH~90%RH
Storage Ambient Temperature	-20°C~+70°C
Storage Ambient Humidity	15%RH~95%RH

Wiring Diagram



Phase Sequence(2 Phase Exciting)

	Step	A	B	A	B	
CW	1	-	+	-	-	CCW
	2	+	-	+	-	
	3	-	-	+	+	
	4	+	-	-	+	
	1	+	+	-	-	

Label Description

Arcus Servo Motion, Inc.



F	E	D	C	B	A	Approved	Material							
F	E	D	C	B	A	Checked	Finish							
F	E	D	C	B	A	Designed	Tolerance	±0.2	NO.	056127				
Edition						Revisions	Designed	Date	Drawn	2018.10.12	Scale	1:2	Sheet	1/1