

Dimension Unit = mm

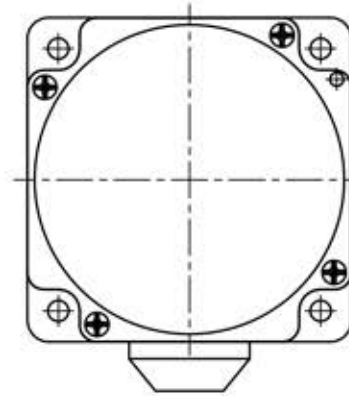
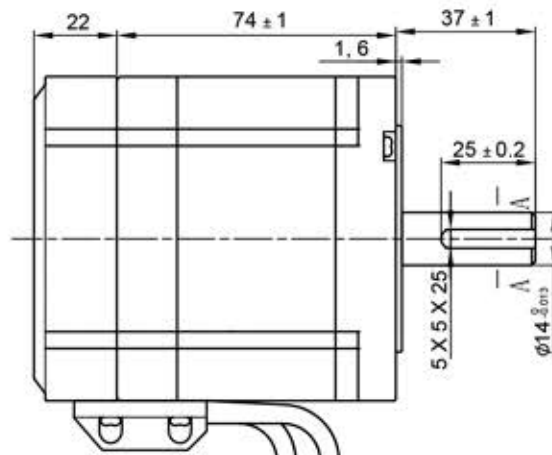
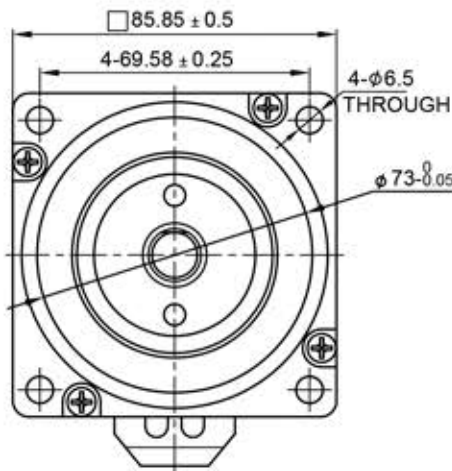
RoHS COMPLIANT



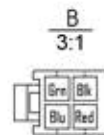
TM-STPP-34-1-R2500

REV: A

Encoder Control (2500CPR)



1	Blue	EA+
2	Blue/White	EA-
3	Orange	EB+
4	Orange/White	EB-
5	Green	EZ+
6	Green/White	EZ-
7	Red	+5VCC
8	Black	GND



AWG18#(+4)
LONG:300

AWG26#(+8)
LONG:300

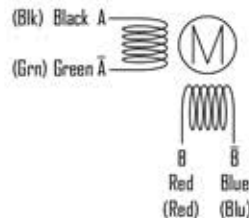
39-01-2040
39-00-0038

DSUB HD15
MALE CONNECTOR

Motor Specification

Number of Phase	2
Basic Step Angle	1.8°
Positional Accuracy (No-Load)	±0.09° Max
Rated Current (Phase)	4.5A
Resitanc (Phase) at 20°C	0.6Ω±10%
Inductance (Phase) at 1KHz, 1V rms	4.3mHz±20%
Holding Torque	4.5Nm
Rotor Inertia	≈1.8Kg cm ²
Mass	≈2.1Kg
Radial Play (Max)	0.025mm (Load 450g)
Axial Play (Max)	0.075mm (Load 920g)
Duty	Continuous
Dielectric Strength	500V A.C
Insulation Resistance	100MΩ Min
Insulation Class (UL)	B
Temperature Rise	80K Max
Life (Hours)	5000 Min
Operation Ambient Temperature	0°C~+70°C
Operation Ambient Humidity	20%RH~90%RH
Storage Ambient Temperature	-20°C~+70°C
Storage Ambient Humidity	15%RH~95%RH

Wiring Diagram



Phase Sequence(2 Phase Exciting)

CW ↓	Step	A	B	A	B	↑ CCW
	1	+	+	-	-	
	2	-	+	+	-	
	3	-	-	+	+	
	4	+	-	-	+	
5	+	+	-	-		

Label Description

Arcus Servo Motion, Inc.

First Angle View

F					Approved		Material	
E					Checked		Finish	
D					Designed		Tolerance	±0.2
C							NO.	056231
B							Scale	1:2
A							Sheet	1/1
	Edition		Revisions		Designe	Date	Drawn	2019.02.16