

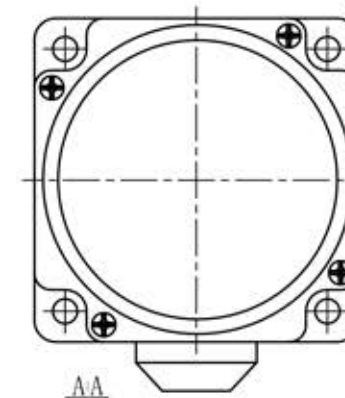
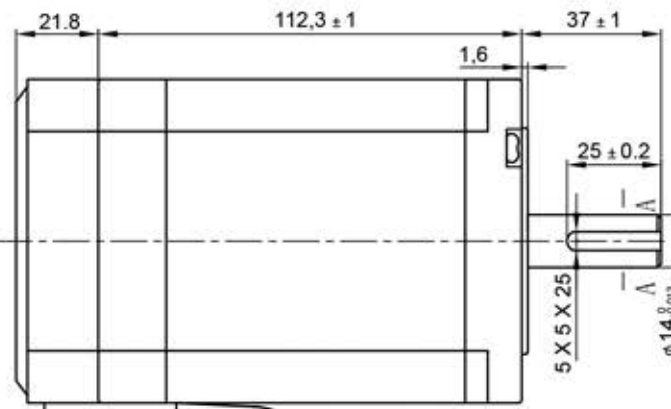
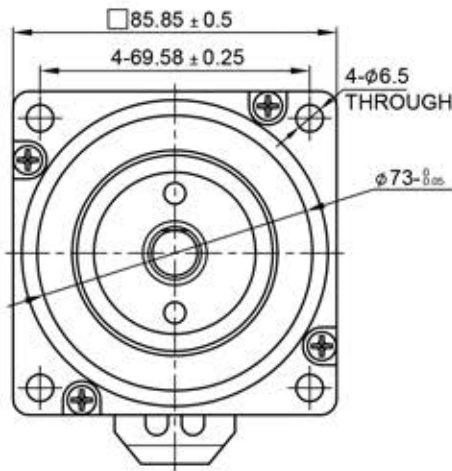
Dimension Unit = mm

RoHS COMPLIANT



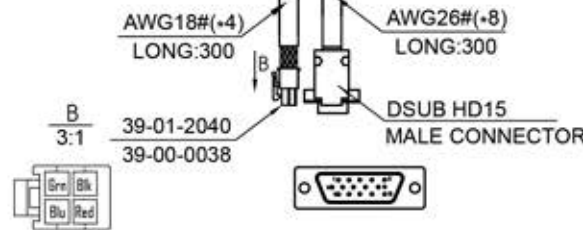
TM-STPP-34-2-R2500

REV: A



Encoder Control (2500CPR)

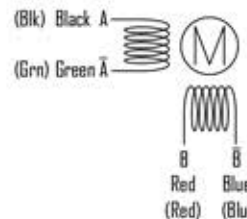
1	Blue	EA+
2	Blue/White	EA-
3	Orange	EB+
4	Orange/White	EB-
5	Green	EZ+
6	Green/White	EZ-
7	Red	+5VCC
8	Black	GND



Motor Specifica-

Number of Phase	2
Basic Step Angle	1.8°
Positional Accuracy (No-Load)	±0.09° Max
Rated Current (Phase)	4.5A
Resitanc (Phase) at 20°C	0.9Ω±10%
Inductance (Phase) at 1KHz, 1V rms	8.8mH±20%
Holding Torque	8.2N·m
Rotor Inertia	≈3.6Kg·cm²
Mass	≈3.6Kg
Radial Play (Max)	0.025mm (Load 450g)
Axial Play (Max)	0.075mm (Load 920g)
Duty	Continuous
Dielectric Strength	500V A.C
Insulation Resistance	100MΩ Min
Insulation Class (UL)	B
Temperature Rise	80K Max
Life (Hours)	5000 Min
Operation Ambient Temperature	0°C~+70°C
Operation Ambient Humidity	20%RH~90%RH
Storage Ambient Temperature	-20°C~+70°C
Storage Ambient Humidity	15%RH~95%RH

Wiring Diagram



Phase Sequence(2 Phase Exciting)

CW ↓	Step	A	B	A	B	DCW ↑
	1	+	+	-	-	
	2	-	-	+	+	
	3	-	-	+	+	
	4	+	+	-	-	
5	+	+	-	-		

Label Description

Arcus Servo Motion, Inc.

First Angle View

F					Approved		Material	
					Checked		Finish	
					Designed		Tolerance	±0.2
							NO.	056237
							Scale	1:2
							Sheet	1/1

Edition	Revisions	Designe	Date	Drawn	2019.02.16
---------	-----------	---------	------	-------	------------