

Overview

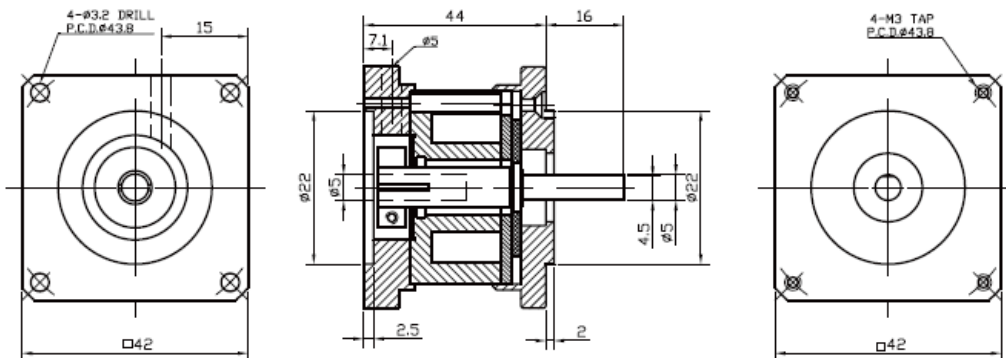
- 24VDC Stepper Motor Brake

Specifications

Model	BRK-17-1	BRK-23-1
Input Voltage	24VDC +/- 10%	24VDC +/- 10%
Rated Current	0.15A +/- 10%	0.15A +/- 10%
Winding	90Ω +/- 10%	77Ω +/- 10%
Power Consumption	6.4W +/- 10%	7.5W +/- 10%
Insulation Class	CLASS E	CLASS E
Insulation Resistance	500VDC 100MΩ MIN	500VDC 100MΩ MIN
Dielectric Strength	1.2KVAC 60Hz 1 sec	1.2KVAC 60Hz 1 sec
Friction Torque	Polarity Forward 1.5 KGF.CM	Polarity Forward 3.5 KGF.CM
	Polarity Reverse 3 KGF.CM	Polarity Reverse 7 KGF.CM
Surface Temperature	MAX 65 DGE	MAX 65 DGE
Maximum Speed	7000 RPM	7000 RPM

Drawings (mm)

BRK-17-1



BRK-23-1

